

Colinas De Oro Residential Mailbox Replacement/Refurbishment

Section 1: Purpose

The goal of this short document is to provide practical advice to homeowners wishing to refurbish (or replace) their mailboxes. Per the Amended Covenants, Conditions, Restrictions, and Easements for Colinas De Oro (CC&Rs), Section 10.13, "If the Architectural Control Committee has provided uniform mailbox designs in the course of original construction, then such designs, colors, lettering, and other features shall be maintained at all times." A quick glance around any street in the neighborhood will reveal that the original construction design for our mailboxes was quite uniform.

Section 2: USPS Facts

2.1 Mailbox

The United States Postal Service (USPS) sets the standards for all mailboxes served by the USPS: ours are subject to the Standard USPS-STD-7C which can be quickly found online. By the standard the Colinas De Oro mailboxes are classified as Traditional Mailbox per Figure 1 below.

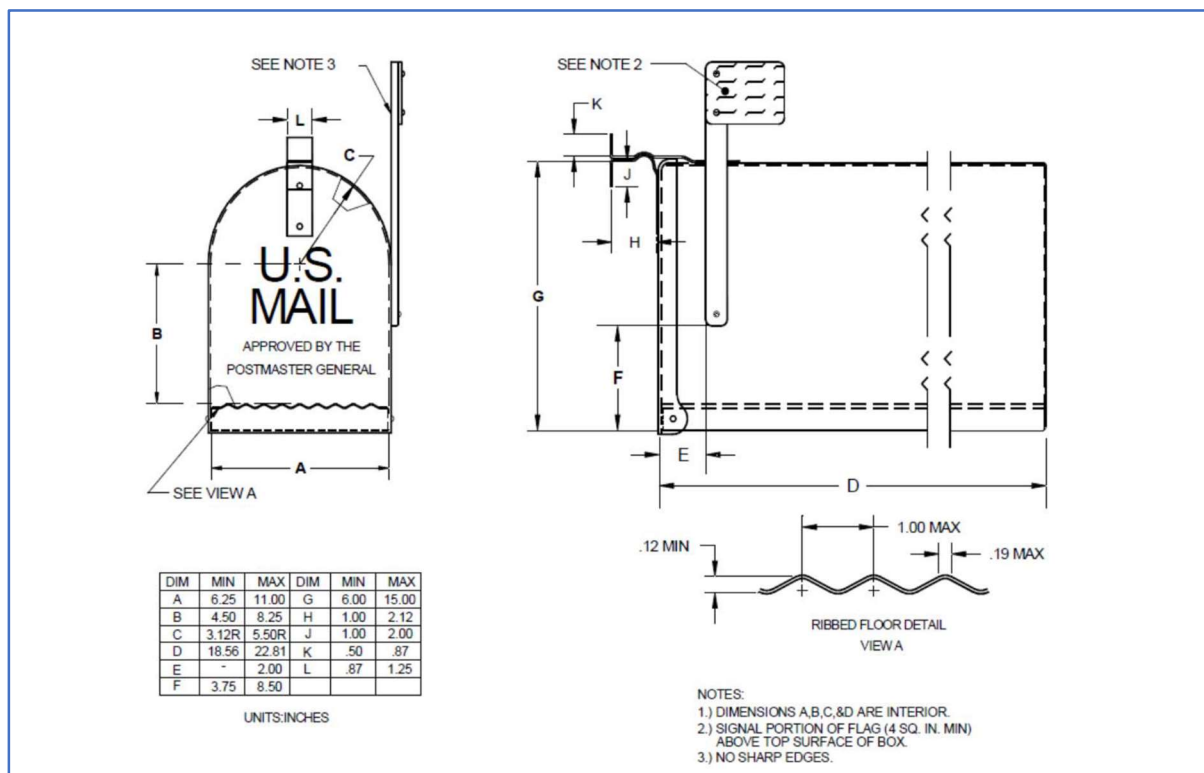


Figure 1: Traditional Mailbox

Colinas De Oro Residential Mailbox Replacement/Refurbishment

Boxes are mounted at 41-45" from the surface of the road and setback 6-8" from the curb per USPS Standard as shown in Figure 2.

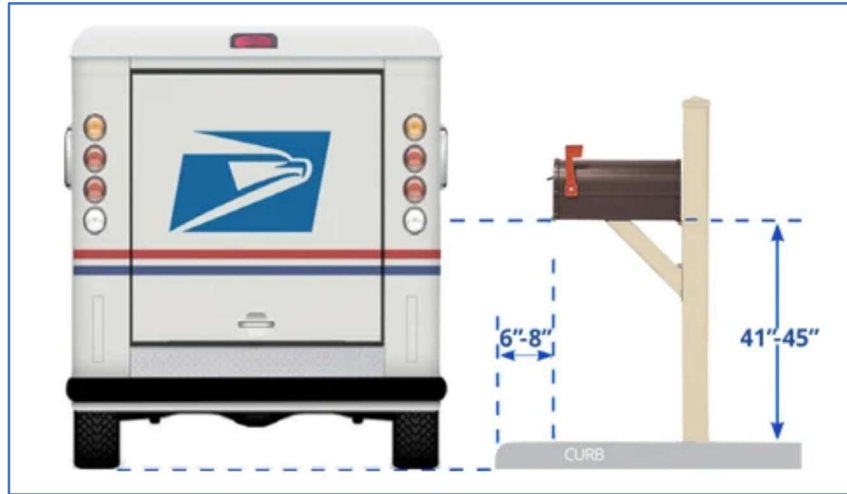


Figure 2: Mailbox Mounting Dimensions

2.2 Aesthetics

Colinas Do Oro has one or two mailboxes per post, black posts, black mailboxes (Traditional style 1A per USPS-STD-7C) with red flags, lettering 2-inch high, white, reflective, waterproof, anti-fade, and a red & white reflective strip on the post.

Section 3: Mailbox Refurbishment

-Post: Ensure the top of the mailbox is at the required USPS height and setback from the curb. Install the red & white 18" reflective strip on the street side of the post.

-Flag: Missing flags will need replacement

-Primer + Paint: Rust-Oleum Paint + Primer Gloss Black is the current color and sheen. Paint the red flag as well, if needed. Use a paint intended for plastic such as Krylon Fusion All-in-one Gloss Red Pepper. This is a multi-purpose paint with a gloss finish.

-Numbers: 1-2 inch white, reflective, waterproof numbers.

The Colinas De Oro original Mailboxes (and many replacements) were installed by the local business Mailbox Man, mailboxmann@comcast.net , 520-744-8439 or 520-990-3352.